

ASFIR™

4x4

OFF ROAD MASTERS



Toyota

Land Cruiser 100



Professional Quality Products

Asfir's variety of products is the perfect solution for accessorizing the off-road vehicle.

ATL Winch Bumper

The innovative ATL winch bumper is designed and developed to replace the original bumper. The bumper covers the winch, but is not attached to it. It has many openings to ventilate the vehicle and enables easy access to the winch for maintenance. ATL bumpers are characterized in low weight and in keeping close proximity to the vehicle's original contour lines.

Skid plates

Quality skid plates for off road vehicles with one of the highest design, performance and finish standards in the world. Asfir offers various skid plates protecting the underbody parts of the vehicle such as front, gear, transfer and fuel tank. The skid plates are made of quality aluminum and are screwed to original holes in the vehicle. Service openings in the skid plates enable servicing the vehicle without dismantling the plates.

Side protectors

Protect the lower sides of the vehicle and aid recovery with a jack. The side protectors are made of quality metal combined with aluminum side steps.

Rear Towing Device

Asfir's towing device mounts to the vehicle's chassis, under the original bumper.

Model 1998-2006 Diesel Auto'



ATL Winch Bumper 03-06



Hidden Winch Mount 03-06



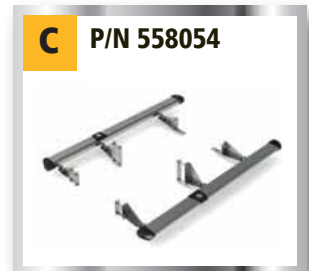
Front Skid Plate 98-08



Transmission (Gear) Skid Plate 98-08



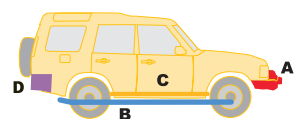
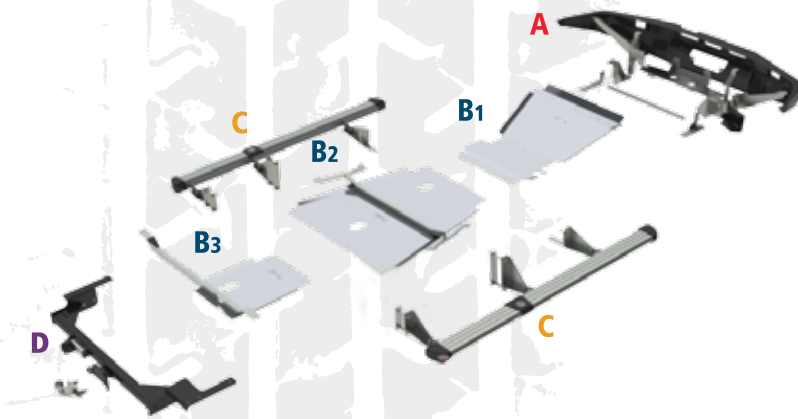
Transfer Skid Plate 98-08



Side Step Protectors 98-08



Rear Towing Device 98-06



ASFIR
4x4

8.2011

QUALITY 4x4 ACCESSORIES

ASFIR LTD

Tel Adashim 19315, Israel

Telephone: +972-4-6511400

1-599-599-499*

Fax: +972-4-6527742

E mail: info@asfir.com

www.asfir.com

*(Israel only)



Distributed by :

TAUBENREUTHER

Taubenreuther GmbH

Am Schwimmbad 8 • 95326 Kulmbach

Tel.: +49 9221-9562 0 • Fax: +49 9221-9562 22

verkauf@taubenreuther.de

www.taubenreuther.de