

ASFIR™ 4x4

OFF ROAD MASTERS

Suzuki

QUALITY
SKID PLATES
ALUMINUM



Grand Vitara Model 06-11 Eng. 2,0/2,4 Liter Petrol/diesel Auto'



B₁ P/N 515053 06-11

Front skid plate



B₂ P/N 515063 06-11

Gear / Transfer / Fuel pipes skid plate



B₃ P/N 515081 LWB 09-11
P/N 515080 SWB 09-10

Exhaust skid plate (petrol)



C₁ P/N 515039 LWB 09-11 petrol
P/N 515044 SWB 09-10

Detachable square tow bar



C₂ P/N 515040 LWB 10

Towing Device, without spare wheel carrier (petrol)



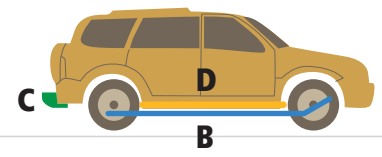
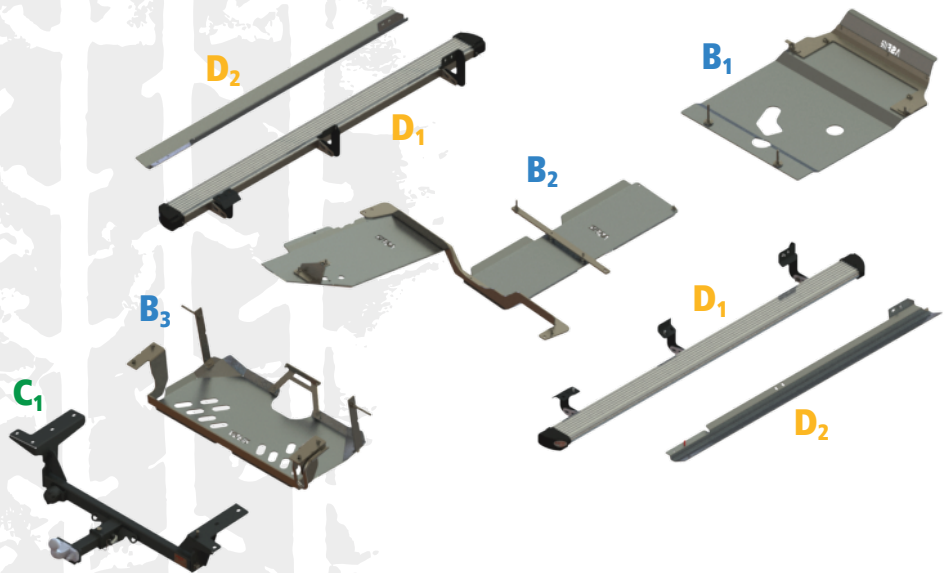
D₁ P/N 515050 LWB 06-10
P/N 515051 SWB 06-09

Side steps (aluminum)



D₂ P/N 515059 LWB 06-10
P/N 515052 SWB 09-10

Side covers (aluminum)



Jimny Petrol



A P/N 517001 07-11

ATL winch bumper



B₁ P/N 517066 97-10

Front axle iron skid plate
(Cannot be mounted with B2)



B₂ P/N 517056 06-11

Steering rod & Differential protector
(Cannot be mounted with B1)



B₃ P/N 517068 97-11

Transfer skid plate



B₄ P/N 517070 99-10

Fuel tank skid plate



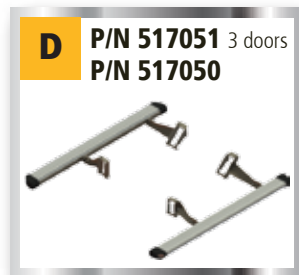
B₅ P/N 517067 97-10

Rear axle iron skid plate



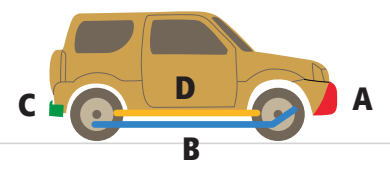
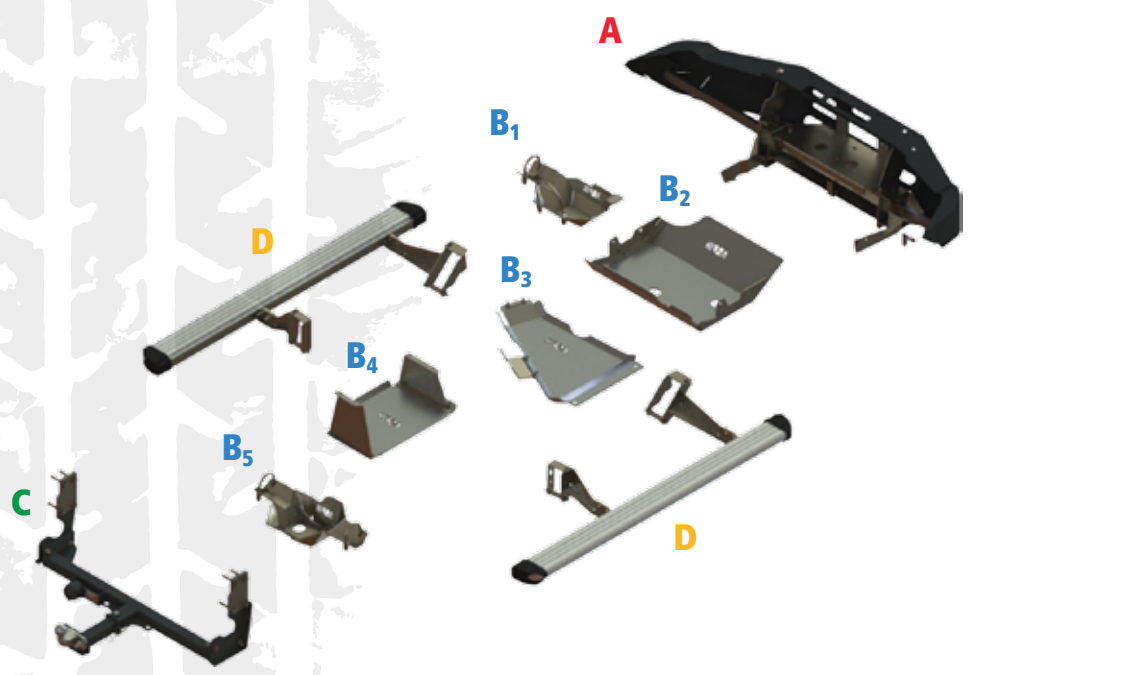
C P/N 517040 99-10

Detachable tow bar



D P/N 517051 3 doors
P/N 517050

Side steps / protectors 04-10



Professional Quality Products

Asfir's variety of products is the perfect solution for accessorizing the off-road vehicle.

ATL Winch Bumper

The innovative ATL winch bumper is designed and developed to replace the original bumper for concealed winch mounting. The bumper covers the winch but is not attached to it. It has many openings to ventilate the vehicle and enables easy access to the winch for maintenance. ATL bumpers are characterized in low weight and in keeping close proximity to the vehicle's original contour lines.

Skid Plates

Quality skid plates for off road vehicles have one of the highest design, performance and finish standards in the world. Asfir offers a wide variety of skid plates such as front, fuel tank, transfer box, air condition, rear bumper and rear bench. The skid plates are made of quality aluminum and are screwed to original holes in the vehicle. Service openings in the skid plates enable servicing the vehicle without dismantling the plates.

Side Protectors

Protect the lower side of the vehicle and aid recovery with a jack. Designed by Asfir's Research & Development team and manufactured using the most up-to-date technology. The side protectors are made of quality metal combined with aluminum side steps.

Rear Towing Device

A quality towing device mounted to the vehicle's chassis under the original bumper.

Grand Vitara Eng. 1,6 Liter Petrol Auto'



Front skid plate



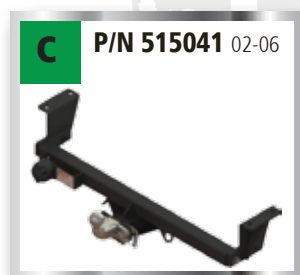
Gear skid plate



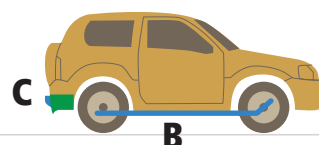
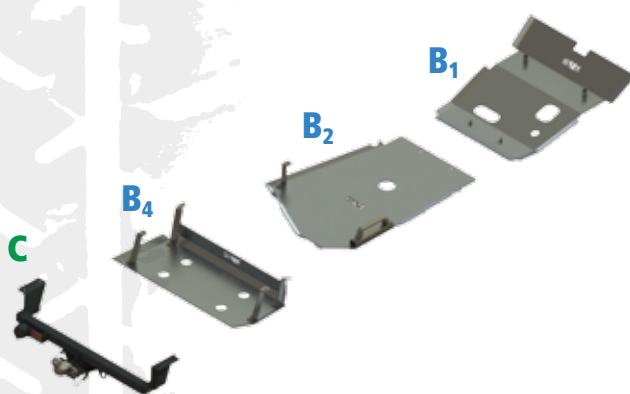
Transfer skid plate (diesel)



Fuel tank skid plate



Detachable square tow bar



ASFIR
4x4

8.2011
QUALITY 4x4 ACCESSORIES

ASFIR LTD
Tel Adashim 19315, Israel
Telephone: +972-4-6511400
1-599-599-499*
Fax: +972-4-6527742
E mail: info@asfir.com
www.asfir.com
* (Israel only)



Distributed by :

TAUBENREUTHER
Taubenreuther GmbH
Am Schwimmbad 8 • 95326 Kulmbach
Tel.: +49 9221-9562 0 • Fax: +49 9221-9562 22
verkauf@taubenreuther.de
www.taubenreuther.de