

ASFIR™

4x4

OFF ROAD MASTERS



Land Rover

Discovery 3 & 4 Range Rover Sport



Professional Quality Products

Asfir's variety of products is the perfect solution for accessorizing the off-road vehicle.

Side Protectors

Protect the lower side of the vehicle and aid recovery with a jack.
The side protectors are made of quality metal combined with aluminum side steps.

Skid Plates

Quality skid plates for off road vehicles have one of the highest design, performance and finish standards in the world. Asfir offers various skid plates protecting the underbody parts of the vehicle such as front, transfer and fuel tank. The skid plates are made of quality aluminum or metal and are screwed to original holes in the vehicle. Service openings in the skid plates enable servicing the vehicle without dismantling the plates.

Rear Towing Device

A quality towing device mounted to the vehicle's chassis under the original bumper.



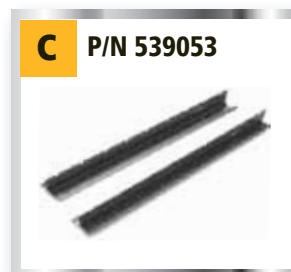
Front Skid Plate 05-11



Transmission (Gear) Skid Plate 05-11



Rear Differential Skid Plate LWB 06-11



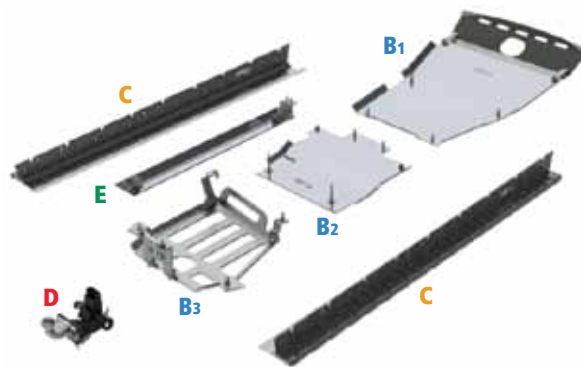
Side Protectors incl. Side Steps 06-11



Detachable Tow Bar LWB 06-11



Air Tank Skid Plate 05-11



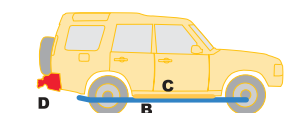
Discovery 3



Discovery 4



Range Rover Sport



ASFIR
4x4

8.2011
QUALITY 4x4 ACCESSORIES

ASFIR LTD
Tel Adashim 19315, Israel
Telephone: +972-4-6511400
1-599-599-499*

Fax: +972-4-6527742
E mail: info@asfir.com
www.asfir.com

*(Israel only)



Distributed by:

TAUBENREUTHER

Taubenreuther GmbH
Am Schwimmbad 8 • 95326 Kulmbach
Tel.: +49 9221-9562 0 • Fax: +49 9221-9562 22
verkauf@taubenreuther.de
www.taubenreuther.de